

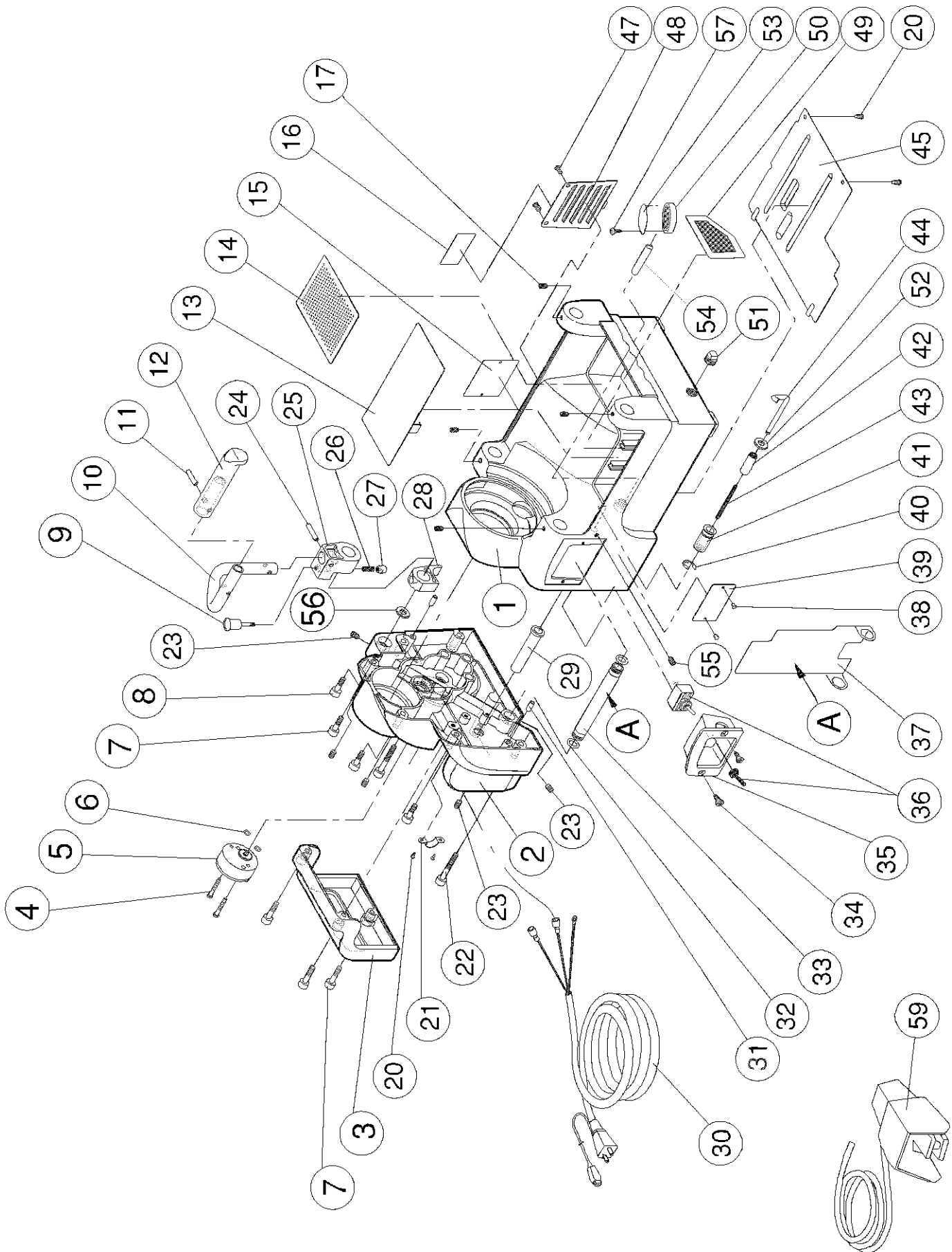
Wheeler-Rex Model 7991 (NS25A) Pipe Threading Machine Parts List



**Wheeler Mfg. Div Rex Intl USA Inc.
3744 Jefferson Road
Ashtabula, OH 44004
Tel: 800-321-7950
Fax: 440-992-2925
www.wheelerrex.com
wheeler@wheelerrex.com**

**REX Industries Ltd.
www.rexind.co.jp**

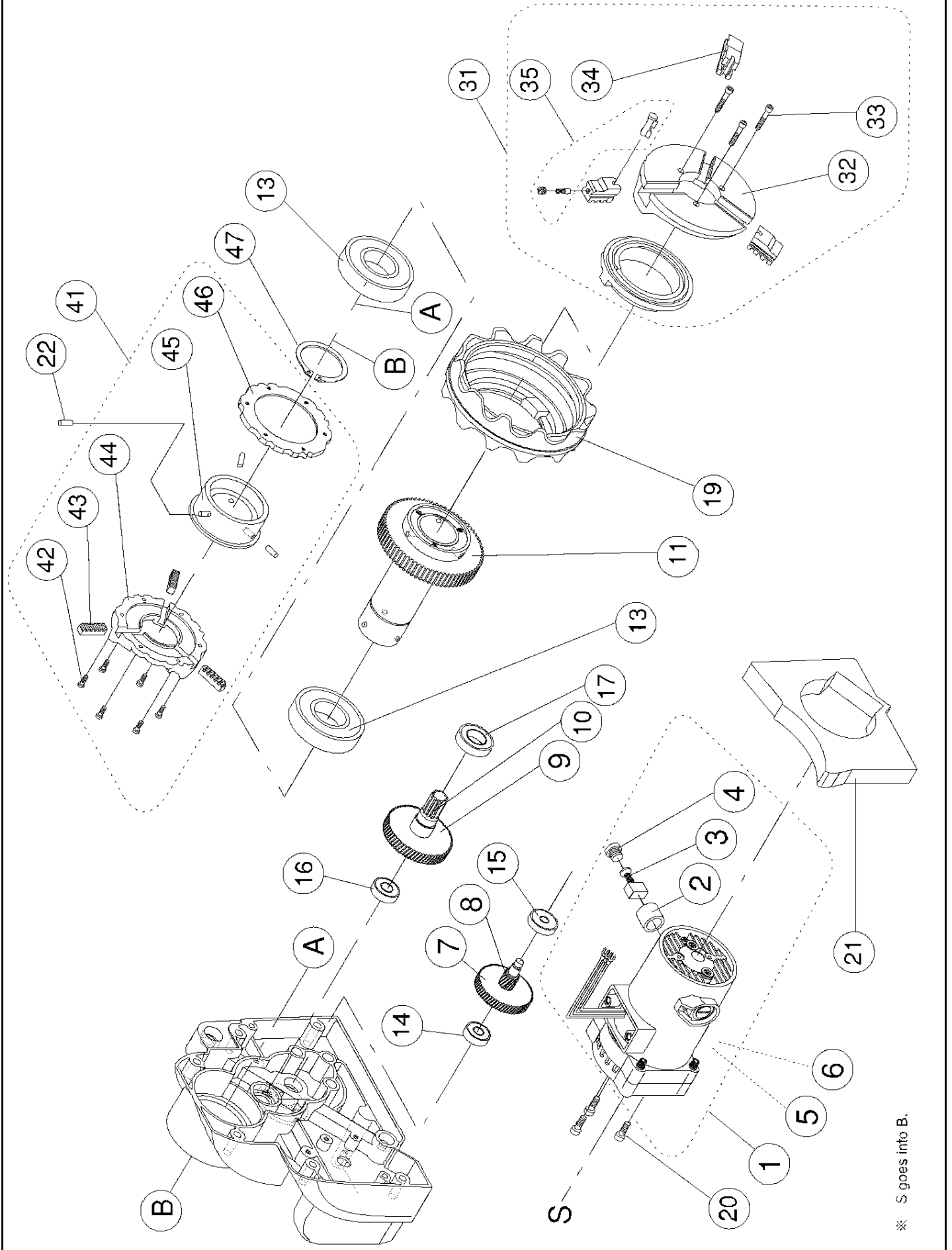
1. Base 7991



7991 1.Base

Number	Wheeler P/N	Description	Set	Rex P/N	Notes
1	606524	Base	1	MY01	
2	606525	Transmission Case	1	MY02	
3	606526	Rear Cover	1	MY03	
4	600341	Round head machined screw M5 x 30	2	W25J	
5	602007	Gear Pump (Oil pump)	1	TY37	6991
6	601566	O-Ring P7	2	Z507	
7	600167	Socket head cap screw M6x25	5	W06B	
8	600813	Socket head cap screw M6x30	2	W065	
9	606527	Carrying handle moveable block fix pin	1	MY30	
10	606528	Carrying Handle	1	MY27	
11	600957	Roll Pin 6x25	1	WL6B	
12	606529	Carrying handle grip	1	MY28	
13	606530	Scrap receiver - large	1	MY18	
14	606531	Scrap receiver - small	1	MY19	
15	606532	Plate (for changing carbon brushes)	1	MY99	
16	606533	Power socket display sticker	1	TY24	
17	606534	Hex-socket cap screw - tapered M6x10	4	W663	
20	600329	Round head machined screw M5x8	4	W251	
21	606454	Saddle Clamp CIS	1	7098	6890, 6790, 6590, 7090
22	606465	Socket head cap screw M6x55	2	W069	
23	602100	Plug iron 1/8	5	WA43	6990, 6991
24	600255	Roll Pin 6x28	1	WL65	
25	606537	Carrying handle moveable block	1	MY29	
26	606538	Carrying handle fixed spring	1	MY32	
27	606539	Carrying handle fixed pin guide	1	MY31	
28	606540	Carrying handle fixed block	1	MY90	
29	606541	Cord bush	1	TY25	
30	606542	Cabtyre cord	1	MY22	
31	606543	Parallel pin 6x15	2	WN09	
32	606544	O-Ring P125	2	25S1	
33	606545	Oil pipe	1	MY92	
34	606546	Oval head machine screw M5x10	2	W346	
35	606547	Switch case	1	MY21	
36	606548	Switch	1	MY20	
37	606549	Wiring protecting cover	1	MY96	
38	600621	Brass rivet #4x5	2	WN34	
39	606550	Name Plate	1	MY26	
40	606551	Snap Ring code 4	1		
41	606552	Spring receptacle B	1	MY39	
42	606553	Spring receptacle C	1	MY40	
43	606554	Spring	1	MY43	
44	606555	Adjustment bar	1	MY41	
45	606556	Bottom cover	1	MY25	
47	606558	Truss machine screw M5x10	2	W556	
48	606559	Side cover	1	MY23	
49	606660	Tank partition	1	MY24	6890, 6790, 6590
50	600731	Strainer	1	N048	6991
51	600183 / 600145	Drain Plug (R)2#	1	WA46	6790, 6590
52	606661	Washer code 4	1	WI42	
53	600721	Strainer Cover	1	HY96	6991
54	606662	Tank hose (105mm)	1		
55	600939	Hex socket set screw - tapered M6x8	1	W662	
56	600810	Wave washer WW-20	1	WH20	
57	600732	Round head tapping screw M5x8	1		4-1-16 6991
59	901	Footswitch	1		

2. Main Shaft, Motor 7991

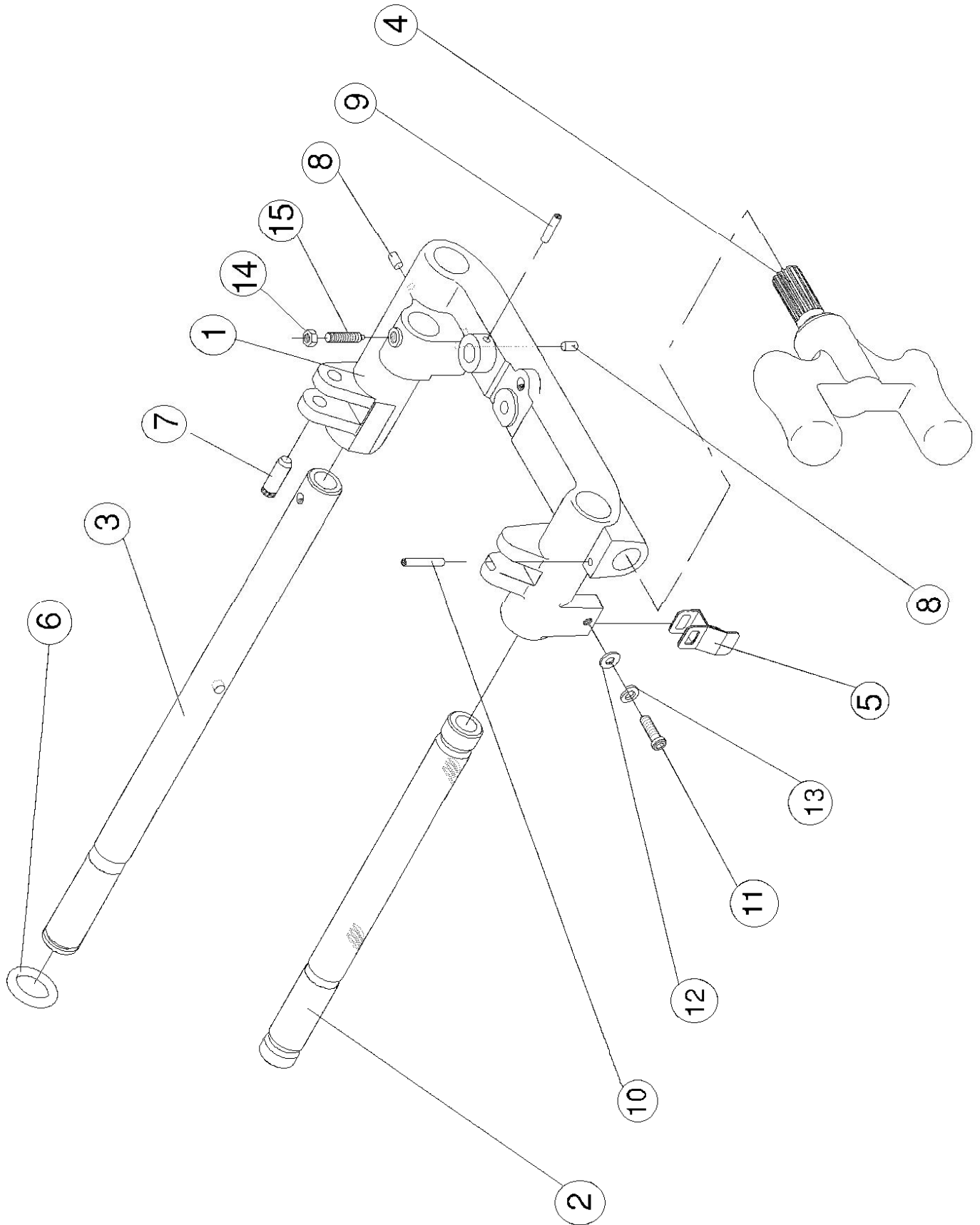


※ S goes into B.

7991 2. Main Shaft - Motor

Number	Wheeler P/N	Description	Set	Rex P/N	Notes
1	606663	Motor	1	MY9A	
2	606664	Carbon Brush Holder	1 set	MYM3	
3	606665	Carbon Brush	1 set	MYM2	
4	606666	Carbon Brush Cap	1 set	MYM4	
5	606667	Armature assembly	1	MYM1	
6	606668	Stator assembly	1	MYM5	
	606669	First gear-sold w/606670 only	1		
	606670	Second pinion-sold w/606669 only	1		
7 & 8	606837	First gear assy (606669 & 606670)	1	MY05	
	606671	Second gear-sold w/606672	1		
	606672	Third pinion-sold w/606672	1		
9 & 10	606838	Second gear assy (606671 & 606672)	1	MY07	
	606673	Mainshaft Gear-sold w/606674	1		
	606674	Main Shaft-sold w/606673	1		
11 & 12	606839	Main shaft w/gear (606673 & 606674)	1	02MY	
13	606675	Bearing 6009z	2	MY0A	
14	606676	Bearing 6000zz	1	S374	
15	606677	Miniature bearing 608zz	1	S373	
16	606678	Bearing 6001zz	1	J300	
17	606679	Bearing 6904M	1	MY0B	
19	606680	Hand wheel	1	MY16	
20	600156	Socket head cap screw M6x45	3		4-1-26 6090
21	606681	Insulation sponge	1	MY98	
22	600665	Roll pin 5x14	3	WM52	
23					
24					
25					
26					
27					
28					
29					
30					
31	602101	Chuck complete set	1 set	KY04	6991
32	602102	Chuck body	1	TYC0	6991
33	600156	Socket head cap screw M6x45	3	W068	6991
34	600978	Chuck Jaw Set	1 set	TYCJ	6991
35	602103	Chuck insert set (NS)	1 set	G0NS	6991
36					
37					
38					
39					
40					
41	606682	Rear chuck complete set	1 set	MY17	
42	606683	Round head cap screw M4x12	6		
43	606684	Rear chuck jaw	1 set	MYSS	
44	606685	Rear chuck receptacle	1	MYS1	
45	606686	Rear scroll	1	MYS3	
46	606687	Rear chuck cover	1	MYS2	
47	600995	Snap Ring outside 45	1	WW45	

3. Carriage 7991



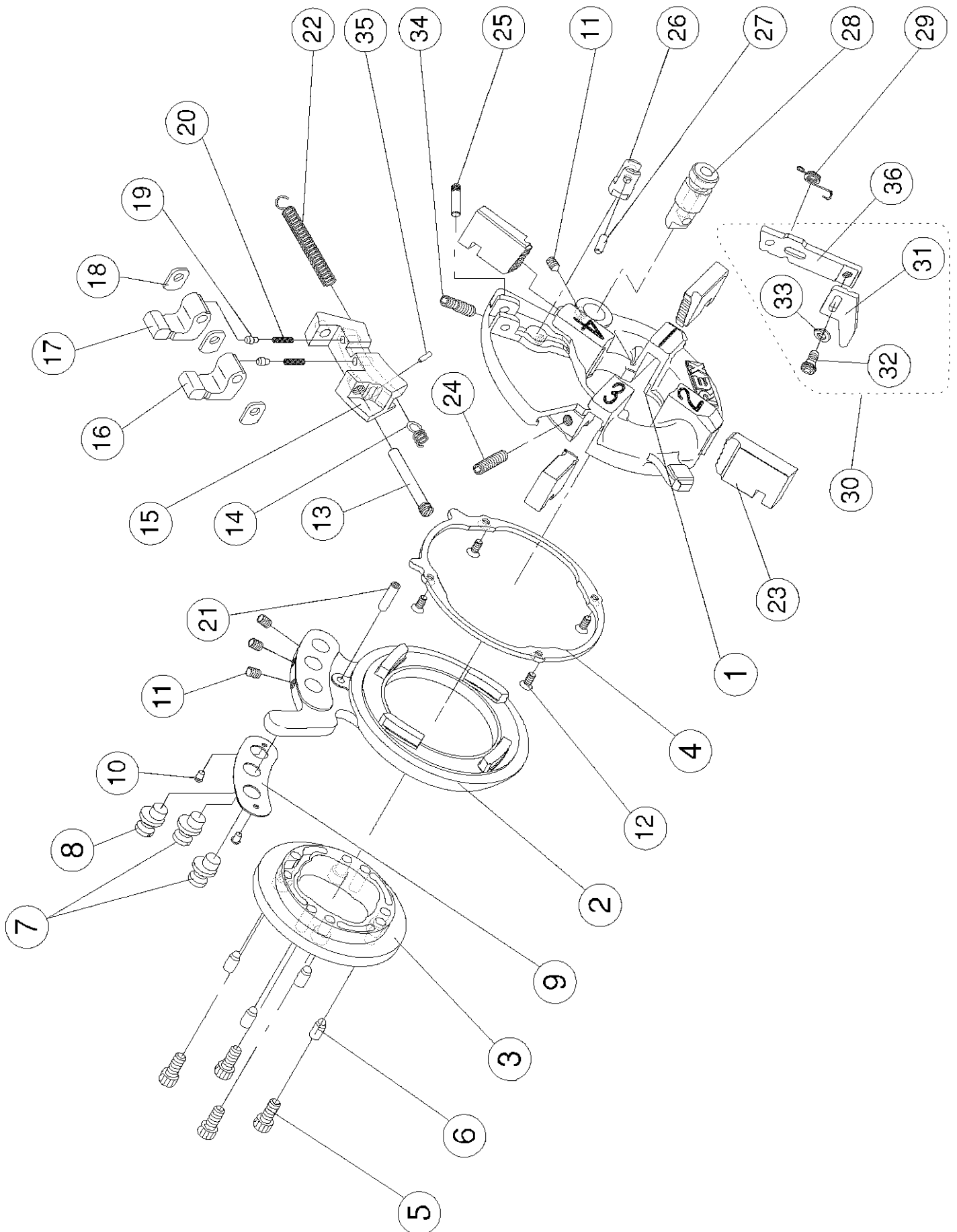
7991 3. Carriage

Number	Wheeler P/N	Description	Set	Rex Part No.	Notes
1	606689	Carriage	1	MY33	
2	606690	Carriage support bar A	1	MY14	
3	606691	Carriage support bar B	1	MY15	
4	606692	Carriage handle	1	MY34	
5	606693	Size adjustment plate	1	MY44	
6	606841	O-Ring P15	1	Z515	6991
7	600989	Cutter arm stop pin	1	HY62	6991
8	600988	Oil Cap	2	HY49	6991
9	606695	Roll pin 4x18	1	WL45	
10	600658	Roll pin 4X25	1	WL47	
11	606688	Socket head cap screw M5x10	1	W052	
12	600248	Washer (5)	1	W152	
13	600124	Spring washer (5)	1	W605	
14	600811	Jam nut M6	1	WD06	
15	600176	Hex socket set screw-tapered M6x12	1	W865	

7991 4. Cutter and Reamer

Number	Wheeler P/N	Description	Set	Rex Part No.	Notes
1	606697	Complete cutter assy (2 - 10)	1	OMCU2S	+MY47+HU61
2	606696	Cutter frame	1	MY45	
3	606698	Cutter guide	1	MY46	
4	606699	Cutter handle	1	MY48	
5	606700	Cutter arm	1	MY47	
6	60322	Cutter wheel	1	135070	6991
7	602025	Cutter roll	1	HY57	6991
8	602024	Spinr	1	HY63	6991
9	602022	Cutter pin A	1	CT07	6991
10	602023	Cutter guide pin	1	HY61	6991
11	606701	Cutter arm for carbide cutter	1	MY93	
12					
13					
14					
15					
16					
17					
18					
19					
20					
21	606702	Complete reamer assembly	1	ORMRM1S	
22	606703	Reamer body	1	MY50	
23	606704	Reamer fixing shaft	1	MY54	
24	606705	Reamer Blade	1	MY52	
25	606706	Oval head machine screw M4x8	1	W345	
26	606707	Reamer rotation shaft	1	MY53	
27	606708	Reamer grip	1	MY56	
28	606709	Reamer fixing shaft collar	1	MY55	
29	606710	Roll Pin 3x14	1	WL3A	
30	606711	Reamer fixing shaft spring	1	MY94	
31	606584	Wave washer #WW-12	1	WH12	

5. Die-head 7991



7991 5. Die Head

Number	Wheeler P/N	Description	Set	Rex P/N	Notes
1	606712	Die head body	1	MY65	
2	606713	Die head cam plate	1	MY66	
3	606714	Die head retaining ring	1	MY67	
4	606715	Die head ring	1	MY71	
5	600131	Socket head cap screw M6x16	4	W062	6090, 6991
6	601576 / 602044	Dies notch	4	G860	6991
7	606716	Eccentric pin A	2	MY73	
8	606717	Eccentric pin B	1	MY80	
9	606718	Adjustment plate	1	MY81	
10	600621	Rivet #4x5	2	WN34	
11	606719	Hex socket set screw M6x6	4	W661	6991
12	606720	Oval head cap screw M4x10	4	W34A	6991
13	606721	Retaining ring	1	MY82	
14	604698	Cushion spring	1	7698	6390
15	606722	Opening block	1	MY69	
16	606723	Size setting lever A	1	MY70	
17	606724	Size setting lever B 25A	1	MY79	
18	606725	Size adjust plate	3	MY75	
19	604790	Notch pin	2	7790	6390
20	600687	Spring	2	7752	6390
21	606726	Roll pin 5x16	1	WL53	
22	602031	Spring	1	MY77	
	60211	Dies 1/2"-3/4"	1 set		
	60212	Dies 1"-2"	1 set		
24	606727	Hex socket set screw M8x18	1	W785	
25	606726	Auto open lever pin	1	MY83	
26	606730	Auto open pin	1	MY72	
27	606731	Auto open straight pin	1	MY84	
28	606732	Die head post	1	MY78	
29	606733	Auto open lever spring	1	MY76	
30	606734	Auto open lever set			
31	606735	Auto open lever B	1	MY57	
32	600479	Socket head cap screw M6x10	1	W060	7090
33	600211	Spring washer 6	1	WG06	6991
34	606736	Auto open spring receptacle	1	MY85	
35	600435	Roll pin 6x18	1		
36	606840	Auto Open Lever A	1	MY68	